

## Spring Tie™

U.S. Patent # 6,662,751

The Spring-Tie™ overhead tie for horses provides a safe and effective way to tether your horse. Our unique design combines the rugged steel construction necessary to restrain a two thousand pound animal with the flexibility required for its protection. Unlike any other trailer-mounted overhead tie on the market, the Spring-Tie™ will not be damaged when your animal reaches the end of its rope and decides to go a few inches farther; and more important, neither will your trailer or horse. Once the receiver has been permanently installed on your horse trailer, the Spring-Tie's trailer-hitch design allows it to be installed securely in seconds. The Spring-Tie™ should always be removed and stowed, or attached to the safety clip for travel.



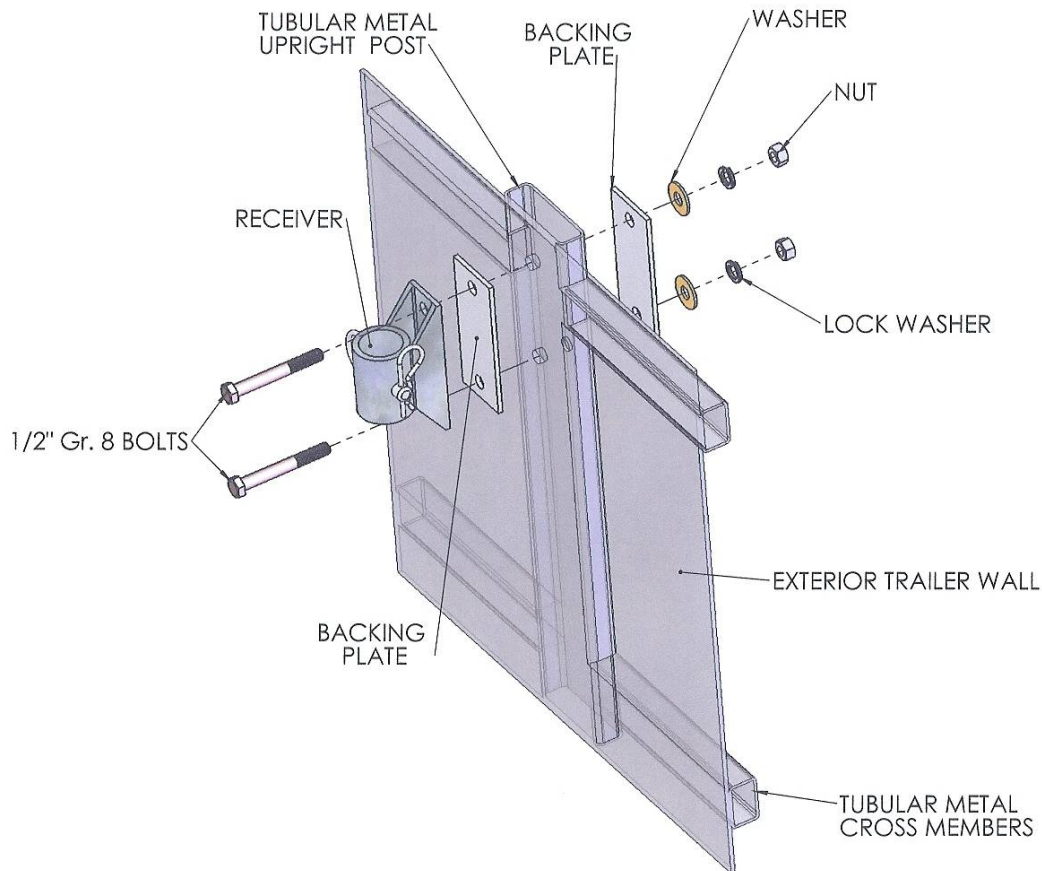
Caution: This product is not recommended for use with horses that refuse to be tied nor is it intended for use in the training of horses or any other animal in any way. Horses are strong & unpredictable creatures; it is therefore the responsibility of the owner to assess the temperament of their horse and the suitability of a product. Spring Tie.com or RMFP is not responsible for damage or injury to animals or equipment due to the misbehavior of animals tethered to its product.

## Installation and Use

**- These guidelines should be carefully read and followed in the installation and use of your Spring-Tie™.**

- RMFP or Spring Tie.com recommends professional installation of the Spring-Tie™.
- To avoid tangling of horses, multiple Spring-Ties must be mounted a minimum of 14 feet apart.
- The Spring-Tie™ may be mounted at a rear corner for extension to the side or the rear of the trailer.
- You can purchase additional receivers from the manufacturer for transferring your Spring-Tie™ to multiple locations.
- Normal height of installation is 7 feet but may vary depending on the height of the animal to be tethered. The unit should be mounted high enough to avoid contact with the animal's head during normal movement.
- The safety tether should hang to between 2 and 3 inches from the ground. It should hang low enough so the animal can reach food or water, but not low enough for the animal to step over.
- Your safety tether should attach at the horse end with a quick release latch designed for horse halters.

The Spring-Tie™ receiver must be mounted on the outside of the trailer using two Grade 8 ½ inch bolts (included) as shown below. You may need to supply bolts of different length than those included in this package, depending on the construction of your trailer. If necessary, trim the bolt where it protrudes inside the trailer so as not to pose a hazard to your animal.



Mount the receiver so that the Spring-Tie™ drops in vertically. It is not intended to be mounted horizontally.

**Caution:** Bolts must be installed from outside, and secured with nuts and washers on inside of your trailer to avoid injury to your animal.

The backing plates may be used on the inside and outside of the trailer for added rigidity depending upon the construction of your trailer. Use it as a template when drilling the mounting holes.